

## **Ala**

Composable shading structure composed by a hexagon shaped roof and support side panels. Roof frame: frame in extruded aluminium. Panels frame: profiles in extruded aluminium, cross beams in steel. Joints: co-moulded polyurethane and steel Gaskets: silicon treated to be UV resistant Cover: white polyester fabric, Madras or Tamil fabrics.



**Brand:** Paola Lenti, Made in Italy

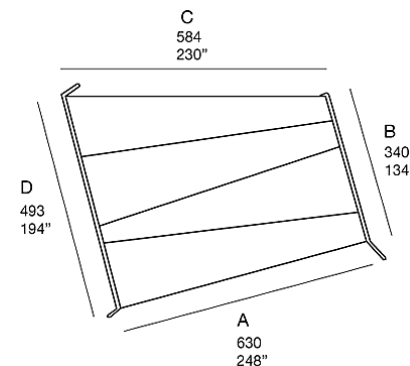
**Item type:** Shade Without Base Fixed Sail

**Item Code:** CA05F/TM11/ME021

**Designer:** Bestetti Associati

**Material:** Madras Tamil Sail Verde

**Dimension:** A 630 x B 340 x C 584 x D 493 cm



Please click the link for more options and finishes:

<http://www.paolalenti.it/en/product/show/ala/>